

THIS DOCUMENT CONTAINS PROPRIETARY DATA OF POLARIS INDUSTRIAL ENTERPRISES, INC. NO DISCLOSURE, REPRODUCTION, OR USE OF ANY PART THERE OF MAY BE MADE EXCEPT BY WRITTEN PERMISSION.

REV.	BY	DATE	APPRVD.
C	AT	10-23-01	

REVISED OPTIONS

P/N SP22GS

**SPECIFICATIONS**

**ELECTRICAL**

RESISTANCE RANGE-----500,1K,2K,5K,10K,20K,50K,100K  
 RESISTANCE TOLERANCE-----±10%  
 LINEARITY INDEPENDENT-----±1.0%  
 POWER RATING-----1.0 WATTS  
 ELECTRICAL ANGLE-----340°±4°  
 END VOLTAGE-----0.2% MAX  
 RESOLUTION-----ESSENTIALLY INFINITE  
 OUTPUT SMOOTHNESS-----BELOW 0.1% AGAINST INPUT VOLTAGE  
 CONTACT RESISTANCE VARIATION-----BELOW 2%  
 INSULATION RESISTANCE-----1000MEG OHMS @ 500VDC MIN.  
 DIELECTRIC STRENGTH-----500 VAC

**MECHANICAL**

MECHANICAL ANGLE-----CONTINUOUS  
 ROTATIONAL TORQUE-----0.7 OZ.IN.  
 SHAFT END PLAY-----.006MAX.  
 TEMPERATURE COEFFICIENT-----±400 PPM/°C  
 WEIGHT, APPROX.-----1.1 OZ.  
 ROTATIONAL LIFE-----10,000,000 TURNS

**ENVIRONMENTAL**

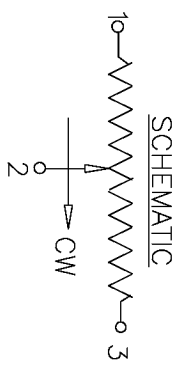
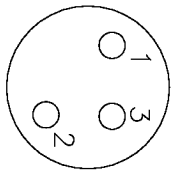
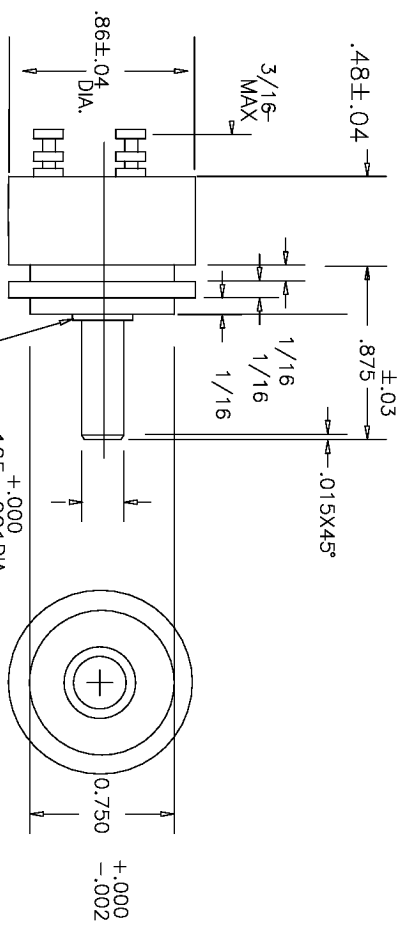
OPERATING TEMPERATURE----- -55°C TO +105°C  
 TEMPERATURE COEFFICIENT----- ±400 P.P.M./°C  
 VIBRATION----- 10HZ TO 2000HZ 15G  
 SHOCK----- 50G 11MS  
 MOISTURE RESISTANCE----- 40°C 95%RH 120 HOURS

**MATERIALS**

HOUSING-----HIGH TEMPERATURE PLASTIC  
 TERMINALS-----SOLDERABLE DOUBLE TURRET  
 SHAFT-----STAINLESS STEEL  
 ELEMENT-----CONDUCTIVE PLASTIC

**OPTIONS**

FRONT SHAFT MODIFICATIONS  
 CENTER TAP  
 O-RING SHAFT SEAL  
 SEALED BODY  
 SPECIAL ELECTRICAL / MECHANICAL ANGLES  
 SPECIAL LINEARITY & RESISTANCE TOLERANCES  
 BUSHING MOUNT ( SEE SP22G)



**TOLERANCES**

XX = +/- .010" FRACT. = +/- 1/64"  
 XXX = +/- .005" ANGLES = +/- 1/2"  
 ALL SPECIFICATIONS SUBJECT TO CHANGE WITHOUT NOTICE.

SCALE	DATE:	7-05-01
NONE	BY	
	APPRVD	AT
CODE	IDENT:	194777



ETI SYSTEMS  
 CARLSBAD CALIFORNIA

**TITLE**

SINGLE TURN POTENTIOMETER

**PART NO.**

SP22GS